

Key Features

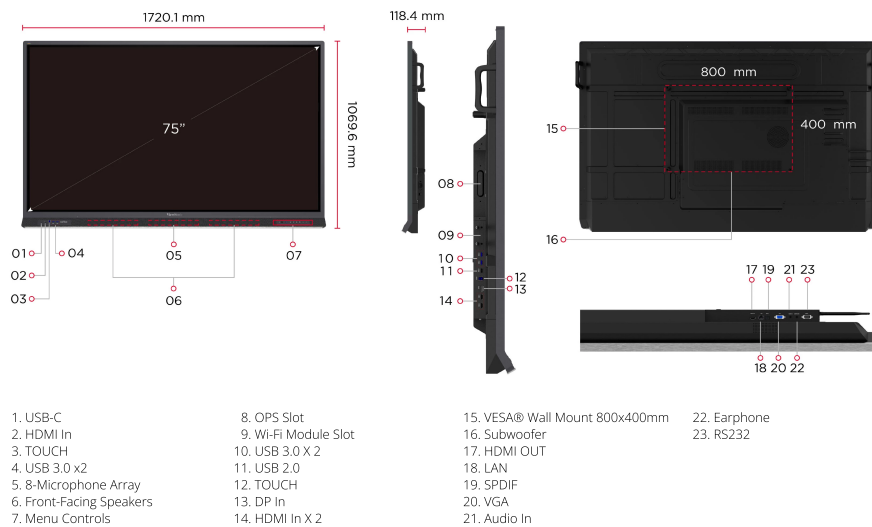
- Innovative Harman Kardon audio with a redesigned multimedia sound bar
- USB-C for plug-and-play connectivity via a single cable
- Responsive 8-Mic Array
- Wireless presentation and intuitive screen casting
- Centralized remote management system via myViewBoard Manager



SOUND BY **harman / kardon** **ViewSonic** 

Product Description

The ViewBoard 52-1BH Series is a 4K UHD interactive display with user-centric design features and collaboration tools for today's workspace. Equipped with two 20W front-facing Harman Kardon speakers and a 40W subwoofer, it delivers pristine sound quality for impressive and immersive presentations. The ViewBoard 52-1BH has been designed for online meetings and boasts a complete and responsive 8-mic array for crystal clear communication. Team members can seamlessly connect and control the meeting's flow with a single-cable solution for instant connectivity and an adapted design for easy access to shortcuts and I/O ports. The naturally smooth writing experience provided by the dual-pen capability, 33-point touch, Ultra Fine Touch, and Palm Awareness technology opens endless opportunities for group collaboration and discussions. Complete with a browser-based remote management system, the ViewBoard 52-1BH Series delivers a market-leading interactive whiteboard solution for presentations, meetings, and IT management.



Visit Us

www.viewsonic.com



DISPLAY

Panel Size:	75"
Panel Type:	TFT LCD Module with DLED Backlight
Display Area (mm):	1649.644(H) x 927.936(V)
Aspect Ratio:	16:9
Resolution:	UHD 3840x2160(Pixels)
Colors:	1.07B colors (10bit)
Brightness:	400 nits (typ.), 450 nits (max.)
Contrast Ratio:	1200:1 Typ. , 5000:1 Max.(DCR enable)
Response Time:	8ms
Viewing Angles:	H = 178, V = 178 typ.
Backlight Life:	50,000 Hours (Typ.)
Surface Treatment:	Hardness: 9H with Anti-Fingerprint coating & Anti-Glare coating

PLATFORM

Processor:	ARM Cortex A73*4
RAM:	8GB
Storage:	64GB

TOUCH

Type/ Tech:	UFT (Ultra Fine Touch) Technology
Touch Resolution:	32767 x 32767
Touch Point:	Windows: 33 points touch, Android: 20 points touch

INPUT

HDMI:	x2 (3840x2160@60Hz, HDCP2.2, CEC, Front x1, Side x1), x1 (3840x2160@60Hz, HDCP2.2, CEC, ARC, Side x 1)
RGB / VGA:	x1 (1920x1080 @60Hz)
DisplayPort:	x1 (3840x2160 @60Hz)
Audio:	x1 (PC audio in)
RS232:	x1
OPS:	module slot x 1
WiFi:	module slot x 1

OUTPUT

HDMI:	x1 (on demand)
Audio:	x1 (Earphone out)
SPDIF:	x1 (optical)

LAN

RJ45:	x1
-------	----

USB

Type A:	USB 2.0 x1(Side x1), USB 3.0 x4 (Front x2, Side x2, SmartPort™ USB)
Type B:	x2, for touch
Type C:	x1 (USB3.0, DP1.2 Alt Mode, 100M Ethernet, 65W PD)

SPEAKERS

20W x 2 + 40W x 1 subwoofer

MICROPHONE

built-in 8-array microphone

TOP CAMERA PLATE

Yes

EMBEDDED OS

Android 9 (Android 11 upgradable)

BUNDLE SOFTWARE

Basic Annotation Software:	myViewBoard WhiteBoard for Android
Pro Annotation Software:	myViewBoard WhiteBoard for Windows (embedded in VPC)
Wireless Presentation:	ViewBoard Cast & myViewBoard Display

SPECIAL FEATURES

All-in-one USB port:	USB 3.0 x 4
Simple LAN sharing between IFP and slot-in device:	10/100/1000M for Android and PC
Light Sensor:	Yes

POWER

Voltage:	100-240VAC +/- 10% Wide Range
Consumption:	On: 149.97W(typ.) / Off: <0.5W

ERGONOMICS

Wall Mount (VESA®):	800 x 400
---------------------	-----------

OPERATING CONDITIONS

Temperature (° C):	0°C to 40°C
Humidity:	20% ~ 80% RH Non-Condensing

DIMENSIONS (W X H X D)

Physical (inch / mm):	1720.1 (W) x 1069.6 (H) x 118.4 (D) mm, 67.72 (W) x 42.11 (H) x 4.66 (D) inch
Packaging (inch / mm):	1880 (W) x 1160 (H) x 280 (D) mm, 74.02 (W) x 45.67 (H) x 11.02 (D) inch

WEIGHT

Net (lb / kg):	125.22 lb / 56.8 kg
Gross (lb / kg):	158.95 lb / 72.1 kg

REGULATIONS

EMC/CE, CB, RoHS & DOC, REACH, WEEE, ErP, EEI

PACKAGE CONTENTS

1. Power cable(3 meters) 2. Remote control 3. USB Type-C cable (1.5 meters) 4. USB Touch cable (3 meters, USB2.0) 5. Touch pen x 2 6. Quick Start Guide + Compliance statement 7. RS232 adapter 8. Clamp x 5 9. Camera Plate 10. Screw x 8 (camera 2+2, wall mount 4) 11. HDMI cable (3 meters) 12. Eraser 13. AAA Battery x 2
--

COMPATIBLE SLOT-IN PC

VPC12-WPO/VPC2C-O/VPC25-O/VPC27-O series
--