

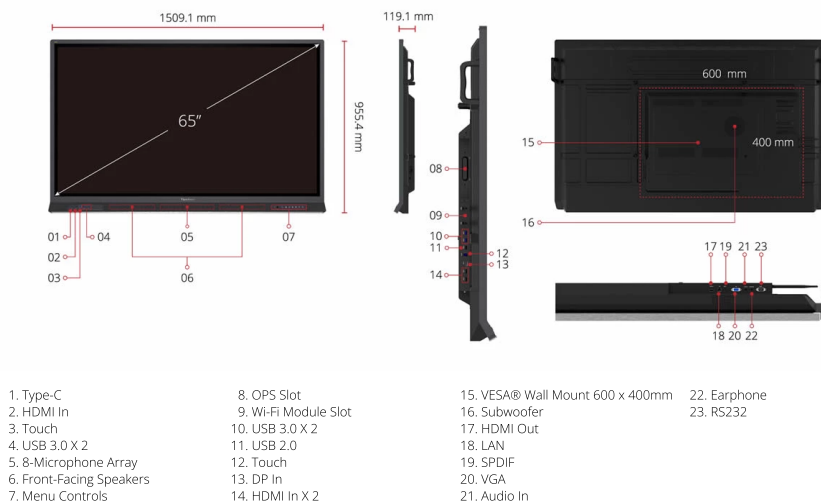
Key Features

- New Exterior Design with Innovative Multimedia Sound Bar
- USB-C for plug-and-play connectivity via a single cable
- Dual-pen, 33-point touch with naturally smooth writing experience
- Industry-leading audio and advanced eye-care technology
- Centralised remote management system via myViewBoard Manager



Product Description

The ViewBoard® 52 Series is a 4K Ultra HD interactive whiteboard equipped with user-centric design features and best-in-class collaboration tools for today's lessons made easy. With a single-cable solution for instant, worry-free connectivity and a unique angular design for easy access to shortcut keys and I/O ports, teachers can seamlessly connect and control for uninterrupted, flowing classes. Dual-pen capability, 33-point touch, Ultra Fine Touch and palm awareness technology combine for a naturally smooth writing experience and endless opportunities for student collaboration, supported by 2X15W front-facing speakers and a 15W subwoofer for amplified student engagement. In another industry-first feature of the display, teachers facilitating distance or hybrid learning from their personal device can easily access the 8-mic array and any connected visualiser to select the most appropriate camera and mic source. Complete with a browser-based remote management system, the ViewBoard 52 Series delivers a market-leading interactive whiteboard solution for teachers, students, and IT managers.



Visit Us www.viewsonic.com



DISPLAY

| | |
|--------------------|---|
| Panel Size: | 65" |
| Panel Type: | TFT LCD Module with DLED Backlight. |
| Display Area (mm): | 1428.48(H) x 803.52(V) |
| Aspect Ratio: | 16:9 |
| Resolution: | UHD 3840x2160(Pixels) |
| Colours: | 1.07B colours (10bit) |
| Brightness: | 400 nits (typ.), 450 nits (max.) |
| Contrast Ratio: | 1200:1 Typ. , 5000:1 Max.(DCR enable) |
| Response Time: | 6ms |
| Viewing Angles: | H = 178, V = 178 typ. |
| Backlight Life: | 50,000 Hours (Typ.) |
| Surface Treatment: | Hardness: 7H (9H pencil), Anti-flare coating. |

PLATFORM

| | |
|------------|---|
| Processor: | ARM Cortex A73*4 |
| RAM: | 4GB (IFP6552-1A, IFP6552-1ANEP) 8GB (IFP6552-1B) |
| Storage: | 32GB (IFP6552-1A, IFP6552-1ANEP) 64GB (IFP6552-1B) |

TOUCH

| | |
|-------------------|--|
| Type/ Tech: | UFT (Ultra Fine Touch) Technology |
| Touch Resolution: | 32767 x 32767 |
| Touch Point: | Windows: 33 points touch Android: 20 points touch |

INPUT

| | |
|--------------|--|
| HDMI: | x2 (3840x2160@60Hz, HDCP2.2, CEC, Front x1, Side x1)x1 (3840x2160@60Hz, HDCP2.2, CEC, ARC, Side x 1) |
| RGB / VGA: | x1 (1920x1080 @60Hz) |
| DisplayPort: | x1 (3840x2160 @60Hz) |
| Audio: | x1 (PC audio in) |
| RS232: | x1 |
| OPS: | module slot x 1 |
| WiFi: | module slot x 1 |

OUTPUT

| | |
|--------|-----------------------------|
| HDMI: | x1 (IFP6552-1A, IFP6552-1B) |
| Audio: | x1 (Earphone out) |
| SPDIF: | x1 (optical) |

LAN

| | |
|-------|----|
| RJ45: | x1 |
|-------|----|

USB

| | |
|---------|---|
| Type A: | USB 2.0 x 1(Side x1)USB 3.0 x 4 (Front x2, Side x2, SmartPort™ USB) |
| Type B: | x2, for touch |
| Type C: | x1 (USB3.0, DP1.2 Alt Mode, Ethernet, PD 65W) |

SPEAKERS

| |
|-----------------------------|
| 15W x 2 + 15W x 1 subwoofer |
|-----------------------------|

MICROPHONE

| |
|-----------------------------|
| built-in 8-array microphone |
|-----------------------------|

TOP CAMERA PLATE

| |
|-----|
| Yes |
|-----|

EMBEDDED OS

| |
|-----------------------------------|
| Android 9 (Android 11 upgradable) |
|-----------------------------------|

BUNDLE SOFTWARE

| | |
|----------------------------|--|
| Basic Annotation Software: | myViewBoard WhiteBoard for Android |
| Pro Annotation Software: | myViewBoard WhiteBoard for Windows (embedded in VPC) |
| Wireless Presentation: | ViewBoard Cast & myViewBoard Display |

SPECIAL FEATURES

| | |
|--|---------------------------------|
| All-in-one USB port (combine Windows/Android USB port; no need to distinguish them anymore): | USB 3.0 x 4 |
| Simple LAN sharing between IFP and slot-in device: | 10/100/1000M for Android and PC |
| Light Sensor: | Yes |

POWER

| | |
|--------------|-------------------------------|
| Voltage: | 100-240VAC +/- 10% Wide Range |
| Consumption: | 135.7W (Typ.) < 0.5W ("Off") |

ERGONOMICS

| | |
|----------------------|-----------|
| Wall Mount (VESA®): | 600 x 400 |
|----------------------|-----------|

OPERATING CONDITIONS

| | |
|--------------------|-----------------------------|
| Temperature (° C): | 0°C to 40°C |
| Humidity: | 20% ~ 80% RH Non-Condensing |

DIMENSIONS (W X H X D)

| | |
|------------------------|--|
| Physical (inch / mm): | 1509.1 (W) x 955.4 (H) x 119.1 (D) mm 59.41 (W) x 37.61 (H) x 4.69 (D) inch |
| Packaging (inch / mm): | 1660 (W) x 1045 (H) x 245 (D) mm 65.35 (W) x 41.14 (H) x 9.65 (D) inch |

WEIGHT

| | |
|------------------|---------------------|
| Net (lb / kg): | 96.78 lb / 43.9 kg |
| Gross (lb / kg): | 122.14 lb / 55.4 kg |

REGULATIONS

cTUVus, FCC, EPEAT, Mexico coc, Mexico Energy, RoHS, Energy Star 8, CEC, EMC/CE, CB, RoHS & DOC, REACH, WEEE, ErP, EEI, RCM, BIS, PSE, VCCI, CCC, CECP

PACKAGE CONTENTS

1. Power cable(3 meters) 2. Remote control 3. USB Type-C cable (1.5 meters) 4. USB Touch cable (3 meters, USB2.0) 5. Touch pen x 2 6. Quick Start Guide + Compliance statement 7. RS232 adapter 8. Clamp x 5 9. Camera Plate 10. Screw x 8 (camera 2+2, wall mount 4) 11. HDMI cable (3 meters) 12. Eraser 13. AAA Battery x 2

COMPATIBLE SLOT-IN PC

| |
|--|
| VPC12 & VPC25/27-O & VPC25/27-O-B series |
|--|